

Cambs & Hunts Bridge

Number 56, October 2010

Cambs & Hunts news

Lots of good results this summer: David Kendrick won the Seniors Knockout Teams. Cath Jagger won the Women's Teams. Cambridge A have reached the final of the NICKO. Paul Fegarty's team is leading Division 2 of the Premier League.

Entries are due in by Monday 11th October for the County Knockout Teams (to Chris Jagger), and the Open Swiss Teams is also coming up soon:

Cambs & Hunts Open Swiss Teams

Saturday 30th October 2010 at Peterborough Bridge Club

Entries to Trevor King 01733 572457 Trevor@AlpineBridge.co.uk

In this issue...

Aunt Agony is inundated with letters from her nephew and other 'mysterious' writers. Chris Jagger gets us all to re-evaluate **Bidding Fourth Suit** and Jonathan Mestel sets a **Competition** to mull over as the nights draw in.

Don't miss the **County Calendar** on the back page, and an **Entry Form** for the Open Swiss Teams just before it. That follows the usual round-up of results from international, national, county and club competitions.

Visit the county's website at

www.cambsbridge.org.uk

- information on bridge clubs
- this and previous newsletters
- details of competitions and results

Please send items for the website to **David Allen** on david@djallen.org.uk

The next newsletter will be published in January.

Please send in news, letters and hands no later than 15th December. All contributions welcome!

Editors: **Chris & Catherine Jagger**

2 Wycliffe Road, Cambridge,
CB1 3JD Tel: 01223 526586

Email: chjagger@deloitte.co.uk
or catherine@circaworld.com

Aunt Agony's post bag

Dear Auntie,

It will come as no surprise to you that I got a bad score on this hand, but for once I got it because of playing well, rather than badly.

Dealer S	♠ 8												
NS Vul	♥ A54												
	♦ KQ832												
	♣ A542												
♠ J107432		<table border="1" style="margin: auto; border-collapse: collapse;"> <tr> <td style="text-align: center;">N</td> <td></td> </tr> <tr> <td style="text-align: center;">W</td> <td style="text-align: center;">E</td> </tr> <tr> <td></td> <td style="text-align: center;">S</td> </tr> </table>	N		W	E		S	♠ 95				
N													
W	E												
	S												
♥ 9863			♥ J10										
♦ —			♦ J976										
♣ 1096			♣ KJ873										
		♠ AKQ6											
		♥ KQ72											
		♦ A1054											
		♣ Q											

We had the normal auction 2NT-6NT. Hard to argue with that – the interest was really in the play. I received the jack of spades lead, the other hand following with the nine.

In my youth I would simply have cashed ♦K, to cater for ♦J9xx on my right. But I realized that of course if I cash the ace then I can cater for J9xx on my left. It seemed like a guess, but there was a clue to who was most likely to have the diamond length. It looked liked the spades were 4-4, with RHO indicating an even number of cards by playing the nine. It is usual to lead your longest suit against no trumps, so it was likely that the leader had no five card or longer suit, and so no void. Thus I won and cashed ♦A, letting out, I admit, a sigh when I found out the news.

I ducked a diamond and won the spade return, then cashed a third spade, finding out they were 6-2. I now had 11 tricks, and 12 if the hearts were splitting 3-3. I was all set to cash all the outside suits and hope the hearts

would come in for four tricks – after all – even if they were not breaking perhaps someone would throw one. Then I thought of you, telling me off for my double errors, and I had a flash of inspiration – could this be a non-simultaneous double squeeze?

Quick as a second flash, I cashed two hearts and ran the diamonds. When I played the last diamond there was ♣Ax in dummy and a heart. In hand I had two hearts, one spade and a club. RHO had to discard, coming down to three cards. I imagined him keeping two hearts and only one club. So I discarded my fourth heart. When I crossed to my ♥Q, I thought LHO would be squeezed – he would only be able to keep two cards now, and clearly he had to hold on to a spade. Thus my second club in dummy would miraculously become good.

As you can see from the layout, the hearts were 4-2 the other way round! And nothing I could do would have made the contract once I had got the diamonds wrong. Dashed unlucky if you ask me. So for once Auntie, you will commiserate with me I hope.

Yours ever hopeful,

Nephew

*** *** *** ***

Dear Nephew,

Many of my readers will be wringing their heads in dismay at the bidding, if you will excuse my mixed metaphor. While 1♦ is clearly preferable to 2NT, I did for a moment have sympathy with your partner's somewhat lame raise to 6NT, since it would be hard to imagine a more sensible auction given that you are involved. But then I realized that she had missed the chance to play the contract – a 4♦ response to 2NT could

have led to 7♦ played the right way up, or alternatively, in the unlikely event that you had sensible methods, your partner may have tried 3♠ showing both minors (with one minor and one major you would start with 3♣, and playing transfers the 3♠ bid is therefore best used to show at least 4-4 in the minors, with some slam interest).

Be that as it may, we already know that this was not your partner's greatest blunder of the night, as she had already consented to play with you. Let us now move on to the play, and I indeed must congratulate you for thinking during the play – perhaps at some point we can get you to take this one stage further and think rationally.

Your assertion that if the spades are 4-4 then the leader is unlikely to have a void is flawed. Against 6NT opponents are not so interested in trying to set up long suits, but more interested in trying to get two tricks, or to play safe and give little away. There is thus little to be gleaned from the lead if the spades are 4-4.

However, you overlooked one crucial piece of information – the fact that RHO followed with the nine. Many people follow suit with the second highest from an even number (or top of doubleton). The play of the nine therefore suggests a doubleton since it cannot be second highest from four, and thus the spades are quite likely to be 6-2. This being the case, you should have got the diamonds right.

As to your marvellous attempt at a double squeeze, unfortunately your basic assumptions were flawed. Many people think that a 4-2 split is more likely than a 3-3 split, and indeed that is the case, if you simply are meaning the suit splitting 4-2 or 2-4 either way round. If you want a particular hand having four hearts, then the 3-3 split is

actually more likely. Look at this another way, and RHO is known to have seven cards in clubs and hearts. There are eight clubs out and only six hearts out, so he must be more likely to have three hearts and four clubs, than to have four hearts and only three clubs.

Thus in fact the 3-3 split is what you should be playing for. Cash all the diamonds without cashing any hearts, and then hope for the hearts to split 3-3. Even if there is four on your left it may be hard for him to read that you have 4 hearts when you have already shown 4 spades and 4 diamonds, as well as a 2NT opener. On this occasion, neither play actually works. Given that you chose the inferior play, then you should actually consider yourself to be very lucky that those playing better would have got the same poor score!

Sometimes it takes a real pro to reject a double squeeze in favour of a 3-3 split!

Yours

Auntie

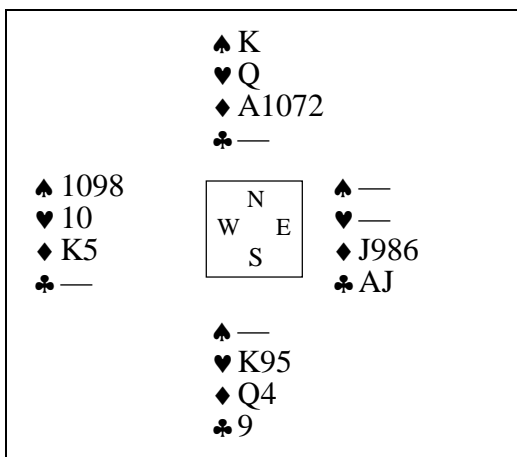
Dear Ms Agony,

I came across this slightly unusual squeeze the other day:

Dealer E		♠ KJ63									
NS Vul		♥ AQ42									
IMPs		♦ A1072									
		♣ 6									
♠ 1098542	<table border="1" style="text-align: center; width: 50px; height: 50px;"> <tr><td></td><td>N</td><td></td></tr> <tr><td>W</td><td>E</td><td></td></tr> <tr><td></td><td>S</td><td></td></tr> </table>		N		W	E			S		♠ —
		N									
W		E									
		S									
♥ 1073		♥ 8									
♦ K5		♦ J9863									
♣ Q3		♣ AKJ10854									
		♠ AQ7									
		♥ KJ954									
		♦ Q4									
		♣ 972									

W	N	E	S
		5♣	P
P	X	P	5♥
P	P	P	

After some thought, West led ♠2. East ruffed and played ♣K and a small club, ruffed on table. Declarer led ♥A and a small trump to hand. ♠AQ were cashed and a third club ruffed in this position:



When the club was led, declarer's intentions were clear and so West threw a small diamond. Declarer ruffed with ♥Q, discarded a diamond on ♠K, cashed ♦A and tried to get back to hand with a diamond, thus promoting ♥10. However, once West had discarded a diamond, the ♦Q was a winner, and so South could have ruffed ♠K to hand to draw the last trump. In short West is squeezed on the club.

What is this called? An entry squeeze? An anti-promotion squeeze?

Best wishes,
Sue Denim

*** *** *** ***

Dear pseudonym,
Oh what an amusing and original alias.
Never mind about the nomenclature of obscure end positions – just

concentrate on getting the simple starting position right. 3♥

Let me begin with the auction. I don't much care for the 5♥ bid, which could change a plus into a minus (e.g. interchange ♥Q and ♦K). I would have led a club against 5♣x and taken a safe 300. (Actually, if declarer views to run ♦9 from hand he will only be one down in 5♣, but that would be a deep view. I haven't actually seen this position before – curiously taking the finesse the "right" way, leading low to the 9, does not help.)

So what about the play in 5♥? The lead of the ♠2 is an intelligent effort, presumably a suit preference signal for a club return. When East fails to underlead his ♣A at trick two, there is a strong suggestion he has no more trumps. But this isn't a cast iron conclusion.

After ruffing a club at trick three, the contract is actually 100% with a little more thought than your declarer proffered.

If the remaining trumps are 2-1, they can simply be drawn and five trumps, three spades, two club ruffs and ♦A make 11. If West has the remaining trumps, it is safe to come back to hand with ♠A after ruffing the last club. There was no need to play off ♠AQ so early, even though it led to your obscure squeeze position. Incidentally, declarer had a complete count on the hand, and so at the second diagram he had nothing better than to play for your squeeze. Discarding on the spade could never work.

There is one other feature of interest. At trick three, declarer should consider the possibility of East rather than West holding the remaining trumps, so that his initial hand was ♠— ♥10xxx ♦Kx ♣AKJ10xxx. Then declarer has trouble getting back to hand to draw trumps.

However there is a simple solution. At trick three, a careful player would lead ♥Q from table. If East shows out, we play small and play as above.

If East follows, we can afford to overtake with ♥K. If West then shows out, a club can be ruffed with ♥A and the marked finesse of ♥9 taken. If neither player shows out, trumps can be drawn. Simple, and effective.

Yours, simply and unaffectedly,

Auntie

=====

Dear Auntie,

This hand from the Brighton Swiss Pairs, allowed me a simple but pleasing endplay:

Dealer W	♠ QJ76		
Love all	♥ 1083		
	♦ 10983		
	♣ A2		
♠ 53		♠ A1094	
♥ KJ9765		♥ 2	
♦ A54		♦ 6	
♣ Q8		♣ KJ109743	
		♠ K82	
		♥ AQ4	
		♦ KQJ72	
		♣ 65	

W	N	E	S
1♥	P	2♣	2♦
P			

I won the ♣Q lead, and attacked trumps. West won the second round, put East in with a club for a heart switch. I let this run to the jack, and West now switched to a spade to the six, nine and king.

I drew the last trump and led ♠2 to the jack in this position:

Dealer W	♠ QJ7		
Love all	♥ 108		
	♦ 8		
	♣ —		
♠ 3		♠ A104	
♥ K9765		♥ —	
♦ —		♦ —	
♣ —		♣ J107	
		♠ 82	
		♥ AQ	
		♦ QJ	
		♣ —	

If East won ♠A he would be endplayed, so he ducked again. But now I was able to change horses, playing ♥A and ♥Q endplaying West instead! Wasn't that neat?

Yours elegantly,

Anne Ominous

*** *** *** ***

Dear anonymous,

Why don't people use their real names when writing to me?

You are right about one thing – this hand permits a simple endplay. To begin at the end, your lead of ♠2 having blocked your trumps displays an ineptitude unmatched by any outside university administration.

East can win ♠A and exit with a low spade and there is nothing you can do. Either keeping a low trump in hand, or unblocking ♠6 would avoid this fate.

Going back a few tricks, it should have been clear to West that it was a time for passive defence.

Had he exited with his third trump rather than switching to a spade, you would surely have gone down. To make, you must win on table and lead a low spade inserting the ♠8 if East plays small. Otherwise you permit East to reach your diagram with ♠9 instead

of ♠4. But it is better odds to play for West to hold either ♠9 or ♠10, so you should rise with the king, unsuccessfully on this occasion.

But you had almost the right idea. I was also playing 3♦ a few tables down from you. The ♥2 switch was an obvious singleton, so I rose with the ace, drew trumps and attacked spades.

It was a simple matter to allow East to win the fourth spade discarding one of my hearts, and wait for the ruff and discard to dispose of the other.

As you say, a simple endplay, hardly worth a mention.

Yours, AA

What does fourth suit show?

by Chris Jagger

My auntie is a great fan of using fourth suit to ‘find out more information about partner’s hand’. However this is the wrong way to think about the fourth suit bid. Whereas Blackwood asks partner a direct question – for his number of aces, and he should usually tell you the answer – bidding fourth suit is not a request for information (even though you will usually get it), but a description of your hand.

That said, when people ask me ‘Well what does it show?’ the answer is: ‘It is usually more a matter of what it doesn’t show.’

Let us take a simple example (all auctions will be uncontested):

1♦-1♥-1♠-2♣

This is a normal fourth suit forcing auction. The 2♣ bid shows many things – it shows that you haven’t got a pass, 1NT bid, 2♦ bid, 2♥ bid, and so on. If you had a hand type that could bid one of these things, then you should have bid it – you are not invited to use 2♣ just to find out more information about partner’s hand, as by bidding it you are denying the ability to make any other bid.

Many people struggle to start using fourth suit, but once they get the hang of it they use it too much!

Tip: Only use fourth suit when you don’t have anything else that describes your hand.

However, there is one thing in this auction that fourth suit does show – and that is it shows extra values – about 11 or more points.

With less than this you must bid something else. Why 11 points? This is simply a matter of convenience – by showing partner that you have an invitational to game hand (or stronger), partner can more readily decide what to bid – for example with 14 points, he can jump to game after 1♦-1♥-1♠-2♣. If you were allowed to have 9 points for this bid, then he would have to bid only 2NT with 14 points, but then you wouldn’t know whether to raise with an 11 count, since he may only have 12 himself.

But remember that even with 11 points, only bid fourth suit if you cannot show your hand in some other way. If you want to raise spades after the auction starts 1♦-1♥-1♠ then you can: suggest mild interest in game with 2♠; invite game with 3♠; just play in game with 4♠; so bidding fourth suit and then supporting spades (1♦-1♥-1♠-2♣-2♦-2♠) shows a stronger hand with at least some interest in slam.

What about 1♥-1♠-3♣-3♦? What does this sequence show?

Here it is even simpler. Partner has forced us to game, so there is no need to show our point count now, and this bid merely denies things. For example, it denies three hearts as all these hands would now be bidding 3♥ – fourth suit cannot be used as an advanced cue bid for hearts when you have the alternative of making a forcing bid in hearts. What 3♦ does say is that you don't know what to do. Your spade suit isn't good enough to rebid, your diamonds are not good enough to bid 3NT (or if they are you are too strong to bid 3NT), and so on.

Rather nicely in this auction, if it goes 1♥-1♠-3♣-3♥ partner should have three hearts, since he could have bid 3♦ otherwise. For those who think this is obvious, bear in mind that 1♥-1♠-3♦-3♥ may well not have three hearts – partner may have been struggling to know what to bid, and not wanted to use fourth suit as that would take him past 3NT.

Another auction of interest is when opener uses fourth suit. For example:

1♥-1♠-2♦-2NT-3♣

This is a very different sequence, and could even be played as natural, but it is actually best played in a similar way to cover hands that cannot be described otherwise. If you (opener) simply wish to play in diamonds, hearts or no trumps at this point, you bid them at the three level (or four hearts). With three card spade support you bid 3♠ – as you don't know whether partner has five of them, this is best played as forcing – he can retreat to 3NT or raise to 4♠. The difficult hands are the stronger hands when you do not know which suit to play in – for example 5-5 or 6-4 hands. With these you bid 3♣.

This is game forcing, and allows partner to show a three card diamond fit or doubleton heart, and thus find the right game, or even proceed to slam.

Similarly, what about

1♠-2♣-2♥-3NT-4♦

With a 6-4 (or 7-4) hand you could rebid 4♠, and with 5-5 (or preferably 6-5) you could rebid 4♥. However neither of these are forcing, so if you are interested in slam with one of these handtypes, you should therefore use 4♦ showing slam interest and at least 10 major suit cards.

1♠-2♣-2♦-3NT-4♥

You might think this is a similar principle, but it is slightly different in that with 5-5 in spades and diamonds here you could simply bid 4♦ (forcing, with or without slam interest). Thus bidding 4♥ won't include this hand type, so specifically shows slam interest with at least six spades and only four diamonds (without slam interest you would simply bid 4♠).

Tip: Bid fourth suit if you have a slam try with a hand-type that can't be shown by other available bids.

Now let's consider a slightly different (contested) auction:

1♦-(2♥)-3♣-(P)-3NT-(P)-4♥

You may have spotted this isn't fourth suit – but if you think about what it does (and doesn't) show then you'll see that it's meaning follows similar principles to those we've been discussing: it denies a single-suited club slam try as that would bid 4♣ (forcing); it denies prime diamond support as that would bid 4♦ (forcing); a hand with 4+ spades, longer clubs and opening values would bid 4♠. But what can you bid with 4+ spades, six clubs and a slam try? 4♥ of course.

Making tricks with bad hands

by Jonathan Mestel

The other day I picked up a truly dreadful hand:

♠5432 ♥5432 ♦32 ♣432

Honest. The opponents declared a grand but my hand took a trick by force.

Dealer W	♠—		
Love all	♥AKQJ109876		
	♦654		
	♣5		
♠AKQ		N	♠J109876
♥—		W	♥—
♦AKQJ10		E	♦987
♣AKQJ10		S	♣9876
	♠5432		
	♥5432		
	♦32		
	♣432		

W	N	E	S
2♣	5♥	5♠	6♥
7♠	Passed out		

I was unsure whether or not to raise hearts, but it wouldn't have mattered as the hand lay. We would have sacrificed over 7 of a minor, while in spades, somewhat to everyone's surprise, there was no way of preventing my hand

from scoring a trick provided I avoided leading a heart.

I was pleased to score a trick with such a weak hand. It set me wondering how many tricks one could score with what is surely the very worst possible hand:

♠432 ♥432 ♦432 ♣5432

So let me set the following competition.

(a) Is there a layout where this hand can take a trick no matter how the other three hands play?

(b) What is the greatest number of tricks this hand might score if all the other players co-operate?

(c) How many tricks might it score if partner helps, but the opponents do not?

(d) Suppose the opponents co-operate but partner perversely opposes. How many tricks might it score then?

In each case, tricks won by partner do not count. Please send your solutions either to me or to the editors.

Answers will be given in the next Newsletter. A modest prize may be awarded for the best entries.

Results round-up

International competitions

Cambridge University represented Great Britain at the 5th World University Bridge Championships in Kaohsiung, Taiwan, finishing in 9th place. From the left: Tom Rainforth, Graeme Robertson, Michael Byrne (npc, Manchester), Sarah O'Connor, David Faria, Dave Williams, John Haslegrave (coach).

Julian Wightwick won a devilish hand-construction problem set by Richard Pavlicek in the USA. The challenge was to construct a deal where South could make 7NT against any defence without winning an ace, king or queen (i.e. if North or South held a suit AKQJ1098, only four tricks could be won by that suit). As if that weren't

tough enough, the following conditions also had to be met:

- No player has a suit over seven cards.
- South's longest suit is hearts.
- East's longest suit is spades.
- West has the best poker hand.
- Declarer wins the last trick with the beer card (♦7)!

For the solution see:

<http://www.rpbridge.net/8f05.htm>

National competitions

David Kendrick won the Seniors Knockout Teams for the Gerard Faulkner Salver. The team played in memory of their late captain, Denis O'Donovan, who sadly passed away in April. The players were (from left) David Kendrick, Charles Chisnall, Peter Law, John Short, Patrick Collins, with director Trevor King presenting the trophy.

Cath Jagger's team won the Women's Teams. Chris Jagger was fourth in the Swiss Pairs at Brighton.

In Crockford's Plate, David Kendrick's team finished in second place, three VPs behind the winners, while Dave Harrison's team (Sue Oakford, Victor Milman, Nadia Stelmashenko, Clive Stops) were just 1VP behind them.

Catherine Curtis, Paul Fegarty, David Kendrick, Jonathan Mestel, Sarah Teshome & Cath Jagger are leading Division 2 of the Premier League after two of the three weekends.

Several Cambridge players reached the Pairs A-Final at the Spring Bank Holiday Congress: Cath Jagger & Jonathan Mestel finished third; Joanne Caldwell & Ian McDonald were fifth; and Nadia Stelmashenko & Victor Milman were seventh. Chris Jagger was second in the Swiss Teams.

Cambridge A have reached the final of the 2009–2010 NICKO.

The Northants One-Day Green Point Swiss Pairs was won by Rod & Sue Oakford. Nadia Stelmashenko & Victor Milman were 4th and Mike Seaver & Peter Bhagat were =7th.

In the Pairs at the Bedfordshire Congress, Rod & Sue Oakford finished 4th, and Nadia Stelmashenko & Victor Milman finished 10th.

Cambs & Hunts finished third out of five in the County League A-Division Final.

In the Garden Cities Regional Final, Peterborough finished in 4th place. In the Pachabo, the Curtis team finished 25th. In the Corwen, Rod Oakford & Victor Milman were the highest-placed Cambs & Hunts pair, at 21st.

In the EBU Spring Simultaneous Pairs, Joanne Caldwell & Kevin Smith finished third nationwide, with fellow Thursday Club players Fred Allen & Roger Salmon in 23rd. The previous day, Ken & Penny Riley had finished 26th in the Wednesday event.

Dominic Clark & Roger Courtney from the Thursday Club finished 19th in the Kidney Research Simultaneous Pairs.

The best simultaneous pairs result for the summer, however, was the second place achieved by Marion & Trevor King in the EBU Autumn Simultaneous Pairs.

Eastern Counties League

The county scored 1-19, 2-18, 0-20 against Herts; 8-12, 6-14, 13-7 against Essex; and 7-13, 2-18, 12-8 against Northants.

ECL Dates

12th December v Norfolk (H)
23rd January 2011 v Beds (A).
20th February 2011 v Suffolk (H)

County Knockout

In the FINAL

CURTIS beat JAGGER

Congratulations to Catherine Curtis, Paul Fegarty, David Kendrick and Jon Cooke.

County Plate

In the Final

POLLARD beat RICHER

Congratulations to Wendy Pollard, Dominic Clark, Fred Langford and Roger Courtney.

Cambs & Hunts League

Final standings for the 2009/10 season in each Division:

#	Division 1	P	W	L	D	VPs	Ave
1	Ely 1	5	5	0	0	64	12.8
2	Cambridge 2	5	2	2	1	63	12.6
3	Peterborough 2	5	2	3	0	54	10.8
4	Huntingdon 1	5	2	3	0	42	8.4
5	Cambridge 4	5	1	3	1	39	7.8
6	University 1	5	2	3	0	38	7.6

Congratulations to Ely 1 (John & Julie Aspinall, Peter & Myra Burrows, Paul Fegarty & Catherine Curtis) on winning Division 1.

#	Division 2	P	W	L	D	VPs	Ave
1	Crafts Hill	5	4	1	0	66	13.2
2	North Cambridge 1	5	3	2	0	65	13.0
3	Thursday 1	5	2	3	0	54	10.8
4	Huntingdon 2	5	3	2	0	52	10.4
5	Peterborough 1	5	3	2	0	45	9.0
6	Peterborough 3	5	0	5	0	18	3.6

Congratulations to Crafts Hill (Peter Somerfield, Derek Oxbrow, Derek & Margaret Sayers) on winning Division 2.

#	Division 3	P	W	L	D	VPs	Ave
1	Ely 2	5	3	1	1	58	11.6
2	University 2	4	3	1	0	50	12.5
3	Peterborough 4	5	2	3	0	48	9.6
4	Huntingdon 3	5	1	3	1	46	9.2
5	Saffron Walden 1	5	2	3	0	41	8.2
6	Peterborough 5	4	1	1	2	37	9.3

Congratulations to Ely 2 (captained by Brian Wynne) on winning Division 3.

#	Division 4	P	W	L	D	VPs	Ave
1	University 3	5	4	1	0	75	15.0
2	Cambridge 3	5	3	2	0	65	13.0
3	Balsham	5	3	2	0	48	9.6
4	North Cambridge 2	5	3	2	0	46	9.2
5	ARM	5	1	4	0	33	6.6
5	Saffron Walden 2	5	1	4	0	33	6.6

Congratulations to University 3 (Ben Reilly, Carrie Oliver, JJ Wilks, Ralph Owen, Jonathan Cairns, Andre Kueh) on winning Division 4.

Around the Clubs

Blinco

The Doric Cup was won by Marie Burrows & Greta Blake.

Cambridge

The Abdelmoneim Trophy was won by Mike Seaver & Rod Oakford.

The September 2010 Equinox Handicap Pairs was won by Mike Seaver and Peter Bhagat.

Huntingdon

The Stuart Morton Random Teams Trophy was won by Eileen Gardiner, Marilyn Howells, Roger Farrington & Malcolm Anderson.

The Alan Nott Trophy was won by Yvonne Palfrey, while runner-up Linda Ledwidge received the McCann Plate.

North Cambridge

The monthly Prize Pairs have been won by Susan Mealing & Peter Last (May); Richard Lyons & Sandy Cuthbert (June); Lyn Mason & Robert Wright (July); Wendy Pollard & Bernard Buckley (August); Eryl Howard & Eric Campbell (September).

The Club Teams of Four was won by John Pearce, Chris Dickman, Vin Vachher & Richard Lyons.

Peterborough

The Men's Pairs was won by Karl Farquhar & Bob Vajda. The Ladies' Pairs was won by Pat Newnes & Molly Edwards.

Peterborough Bridge Club held its annual Charity event on 12 June. A teaching session by Graham Hedley on slam bidding was followed by a pairs competition in the afternoon and a seeded teams in the evening. £288 was raised for the local Sue Ryder Hospice.

Thursday

The Fry Trophy was won by Ken Jackson, Alan Edwards, Julia Robinson & Shirley Rainbow.

The Orchard Pairs was won by Joanne Caldwell & Kevin Smith.

The Teams Ladder was won by Alan MacFarlane & John Phelps. The Pairs Ladder was won by Fred Allen.

The June Unusual Partner Pairs was won by Fred Allen & David Man, while the September event was won by Brian Robinson & Ken Jackson.

University

The President's Teams was won by Jonathan Mestel, Paul Barden, Graham Hazel & Jon Green.

Charity Bridge Drive

The next charity bridge drive in Fulbourn will be on **22 January 2011**.

Christmas Party

Peterborough BC, Monday 20 Dec.
Everyone is welcome.

Saturday 30th October 2010

Cambs & Hunts Open Swiss Teams

at Peterborough Bridge Club, PE1 2PE

commencing 1pm

Competition for the Margaret Hyde Trophy

Prizes also awarded to

the Top Three Teams

and an Ascenders Prize

Two sessions of play
Includes plated afternoon tea
Licensed by the EBU

Entry fee £14.00 per player
Free Tea and Coffee all day
Master Points to EBU Scale

Tournament Director: Ian Clarke

Entry Form (please detach)

Cambs & Hunts Open Swiss Teams

Team Names and EBU numbers:-

Team Members	EBU Numbers
--------------	-------------

.....
.....
.....
.....
.....

Preferred contact address:.....

Telephone No:.....Email

Please send cheque for £56 (payable to “Cambs & Hunts C.B.A.”) to:
Trevor King 27, Barnes Way, Werrington, Peterborough, PE4 6QD
Tel. 01733 572457 email Trevor@AlpineBridge.co.uk

Cambs & Hunts CBA – County Calendar 2010–2011

*Except for the Novice Pairs and Teams tournaments all competitors must be members of the EBU (either directly or as a member of a club). For all other events except Cambs and Hunts Open Swiss Teams competitors must also be members of the Cambs & Hunts CBA**. Full details of events and entry forms are available from clubs, the event organiser, or on www.cambsbridge.org.uk. All events start at 1pm except where otherwise stated.*

Monday 11th
October 2010 **Closing date for entries to the County Teams Knockout.** The major green-pointed teams-of-four championship with matches played privately. The winners represent the County in the Pachabo. There is also a Plate event for first round losers, so no excuse for not entering this one! £10 per team. (Organised by Chris Jagger. chjagger@deloitte.co.uk, 2 Wycliffe Road, CB1 3JD. Tel 01223 259524)

Saturday 30th
October 2010
Peterborough **Cambs and Hunts Open Swiss Teams**
The County's prestige teams-of-four competition.
(Organised by Trevor King*)

Sunday 16th
January 2011
Trumpington **County Individual Final**
This is what bridge is all about! All partner all and only a simple system is permitted. Qualifying heats to be held in clubs by Thursday 23 December inclusive. Pester your club to hold a heat. Entry £1.50 per person.
Clubs: to register your heats please email CountyIndividual@systems.co.uk

Sunday 6th
February 2011
Trumpington **County Pairs Final**
The green-pointed final of the County's premier pairs event. The leading three pairs represent the county in the Corwen. Qualifying heats held in clubs by 31 December. Entry fee £2.50 per person. (Organiser: Peter Grice pg10003@cam.ac.uk)

Saturday 12th
March 2011
Trumpington
10am **Novice Pairs Tournament**
For inexperienced players and players new to tournament bridge.
(Organised by Gladys Gittins email: gladys.g40@ntlworld.com, and David Carmichael)

Saturday 9th
April 2011
Peterborough **Garden Cities Qualifier**
One Day club teams of eight (clubs may enter more than one team). The winning club represents the County in the Regional Final. (Organiser: Trevor King*)

Sunday 17th
April 2011
Trumpington **County Swiss Pairs**
A popular pairs competition in Swiss format with six 8 board matches.
(Organised by Penny Riley penny.riley@ntlworld.com)

*Trevor King Trevor@alpinebridge.co.uk Tel: 01733 572457

** If membership of Cambs & Hunts CBA is uncertain, or if dual membership is required, please contact the membership secretary, Penny Riley. penny.riley@ntlworld.com

Eastern Counties League dates are published separately, by Chris Larlham, CLar365164@aol.com.